

Shaft Diameter

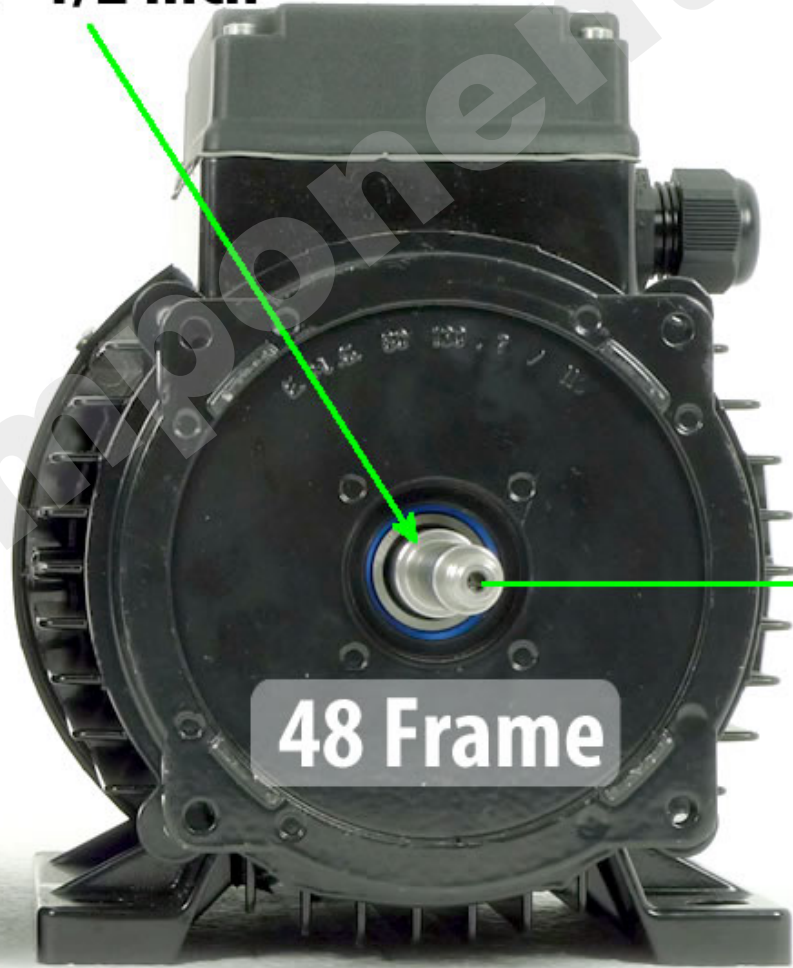
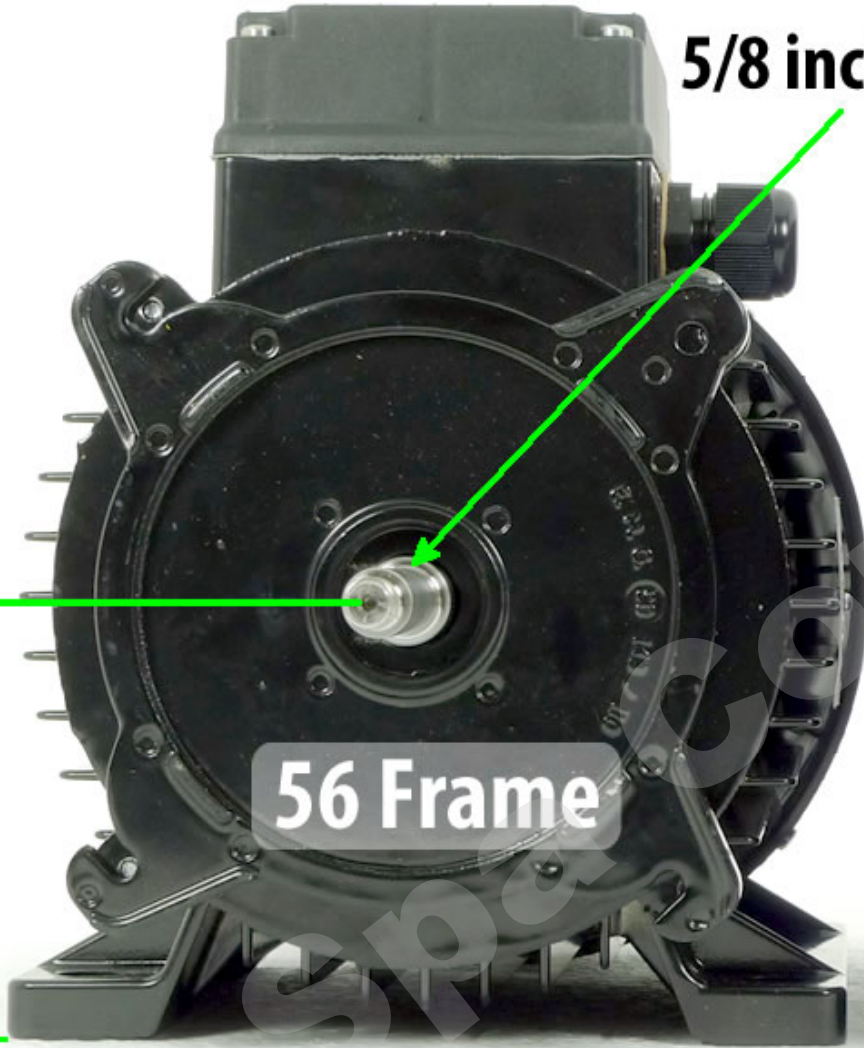
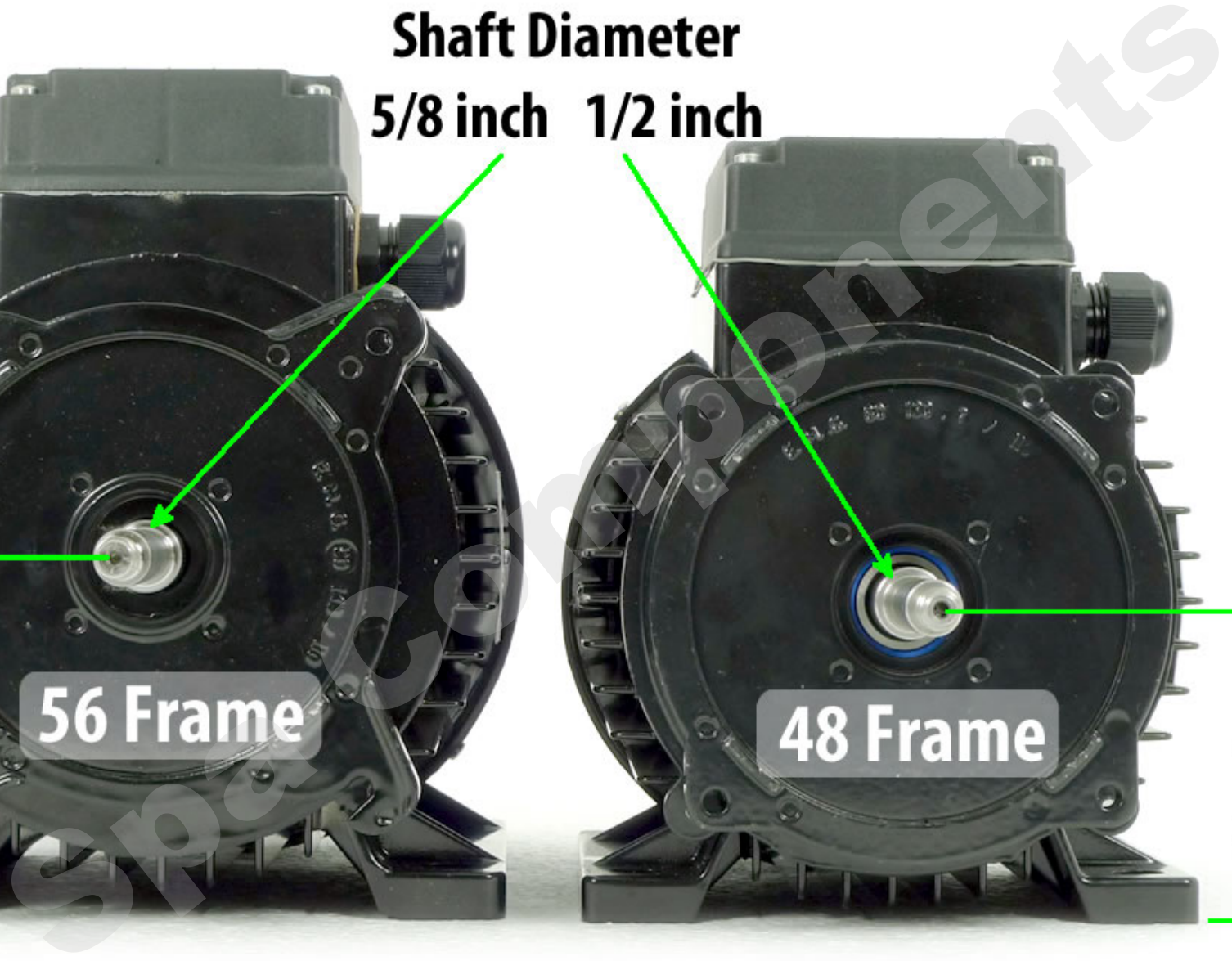
5/8 inch 1/2 inch

3.5 inches

56 Frame

3 inches

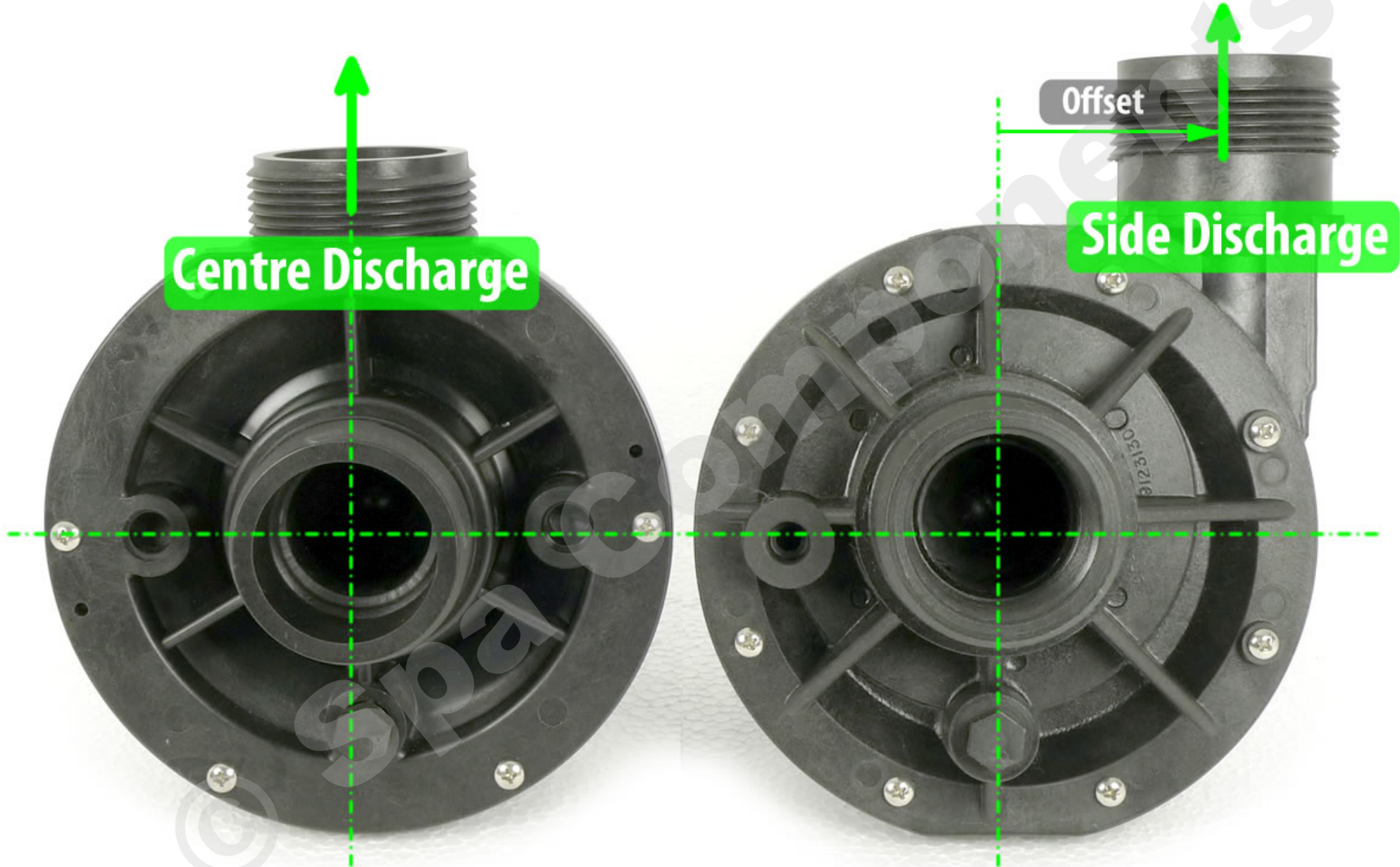
48 Frame

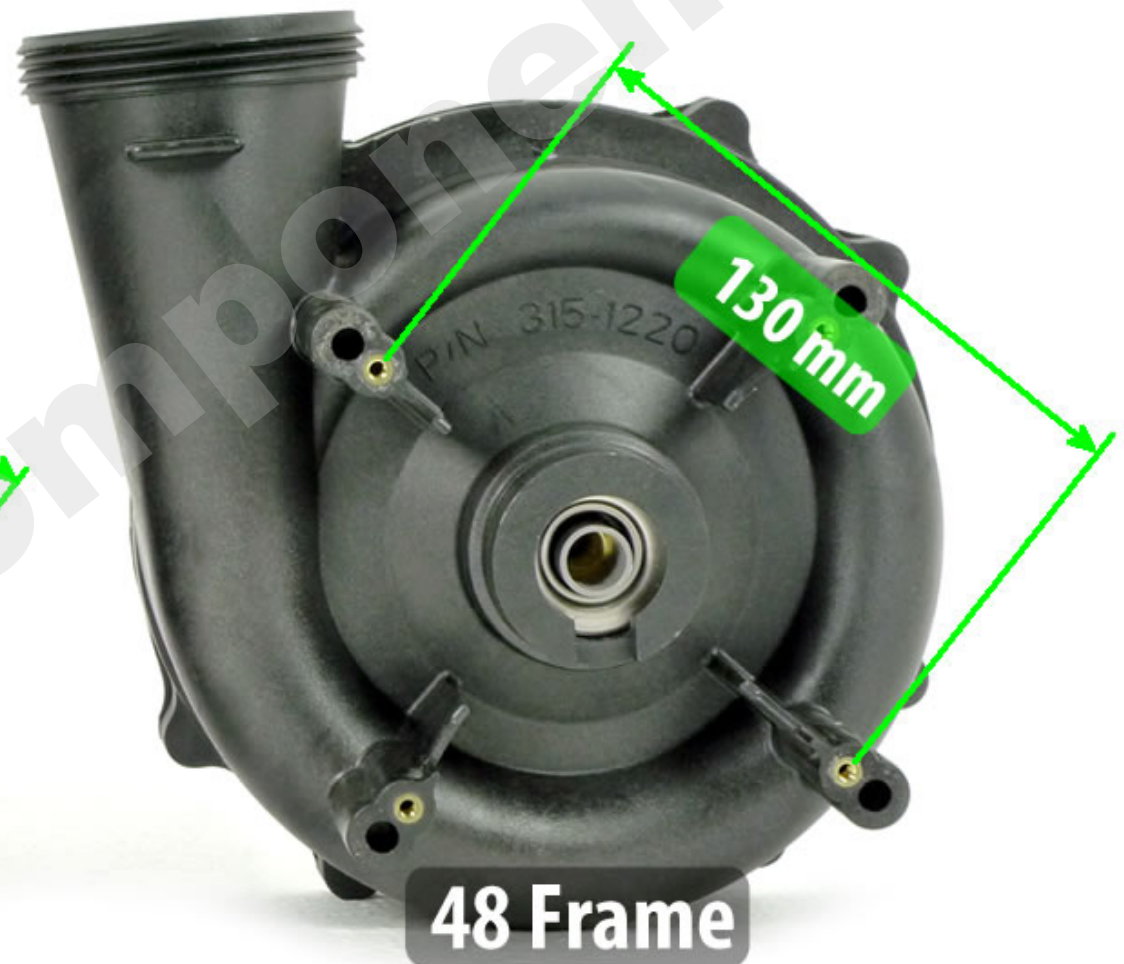
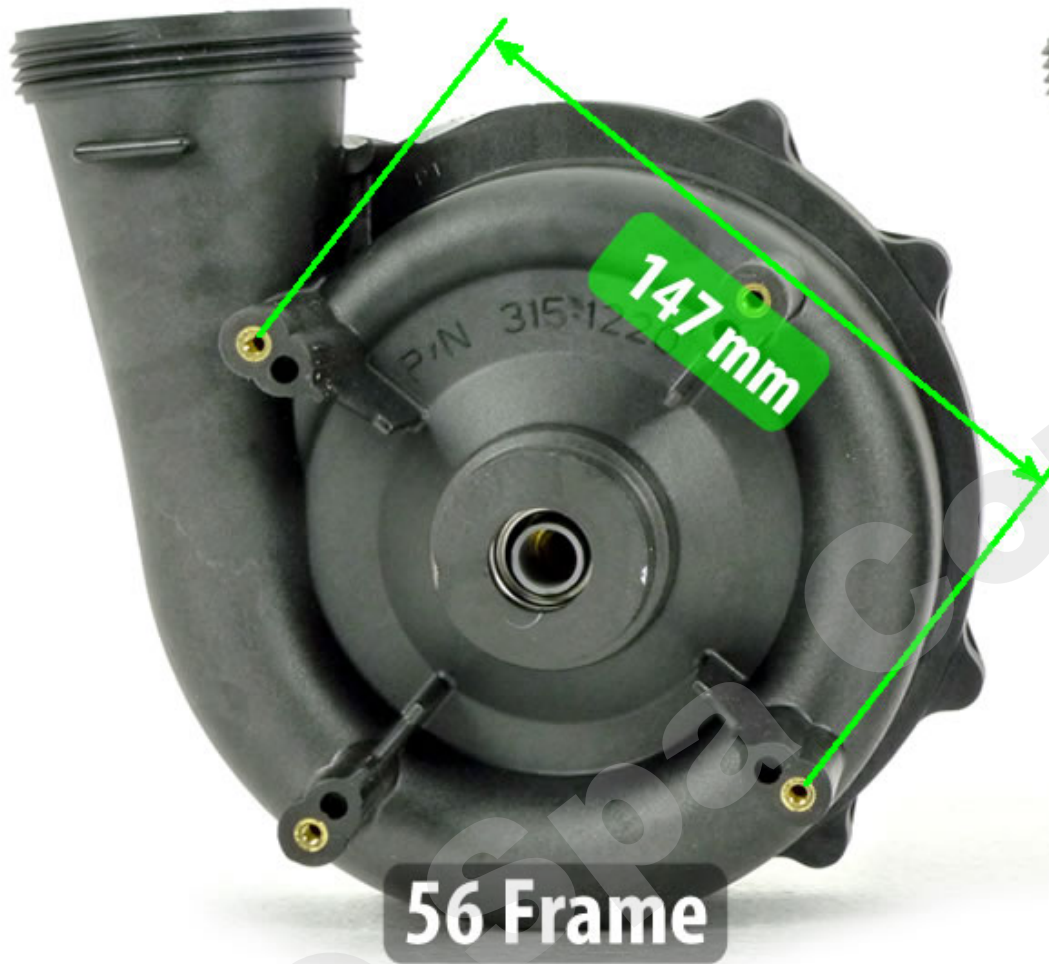


Centre Discharge

Offset

Side Discharge



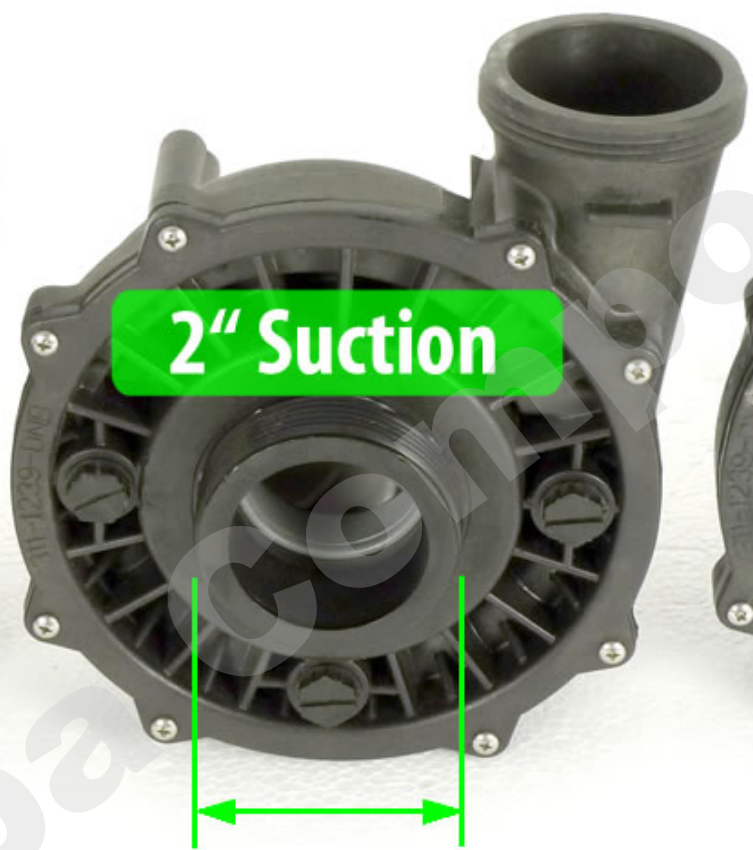




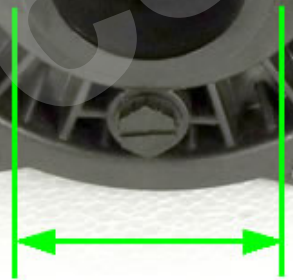
1.5" Suction



62 mm



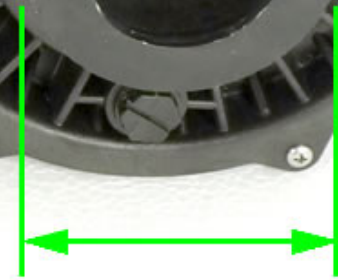
2" Suction



78 mm



2.5" Suction



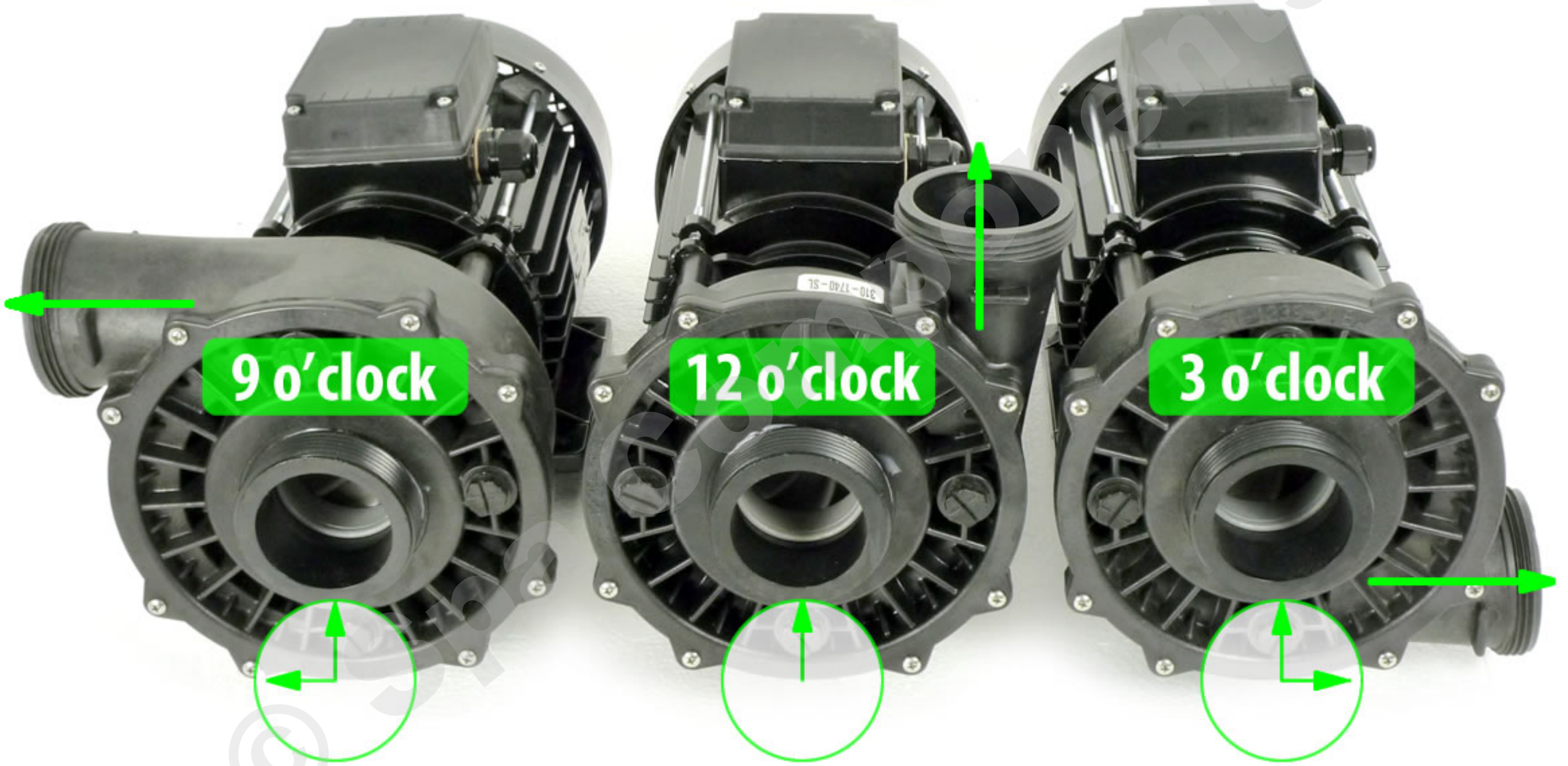
93 mm



Spa Components

Discharge Positions

All pumps have wet ends that can be rotated to any of these positions



9 o'clock

12 o'clock

3 o'clock

12 o'clock is the standard position when a new pump ships