



Applications

Specifically designed for the following uses:

- Water Circulation
- Chiller Systems
- Ozone Treatment
- Saltwater and Freshwater Aquarium Circulation

Specifications

Pump

- Capacities: 14 GPM
- Max Head: 20'
- Pipe Connections:
 - 3/4" and 1" Barb Suction and Discharge
 - 3/4" MPT Suction and Discharge
- Maximum Working Pressure: 50 PSI
- Maximum Temperature: 140° F
- Rotation: counter clockwise when viewed from the motor end

Motor

- Electronically Commutated AC/DC/AC Spherical Motor
- Canned Spherical Type Motor
- 115 Volt 62 Watts 50/60 Hz, 3100 RPM
- 230 Volt 71 Watts 50/60 Hz, 3200 RPM
- Automatic Overload Protection

Features

Compact Design

Close coupled, space saving design provides easy installation. The pump weighs less than 4 pounds.

Mounting

Pump can be mounted horizontally or vertically with motor end down. Thermoplastic integrated pump bracket is adjustable to 4 different discharge angles.

Motor Bracket

Thermoplastic motor bracket is adjustable to 4 different discharge angles.

Construction

Available in 316SS fitted thermoplastic or Titanium fitted thermoplastic.

Ceramic Bearing Ball and Carbon Bearing Cap

High density ceramic bearing ball and graphite impeller bearing cap designed for high efficiency and long life.

Impeller

Highly efficient, clog resistant open impeller is dynamically balanced with carbon bearing for smooth ultra quiet operation.

Casing

Casing is Volute type thermoplastic construction.

Mechanical Seal

Unique patented design has no mechanical seal which is a potential leak path.

Motor

Highly efficient and ultra quiet spherical motor design. Pump is designed for continuous operation. All ratings are within working limits of the motor.

Electronics

Embedded microprocessor control is self protected against dry run conditions. Available with variable speed with PWM input or dial control (potentiometer) on the pump.

Noise level

Whisper quiet, less than 40 db.

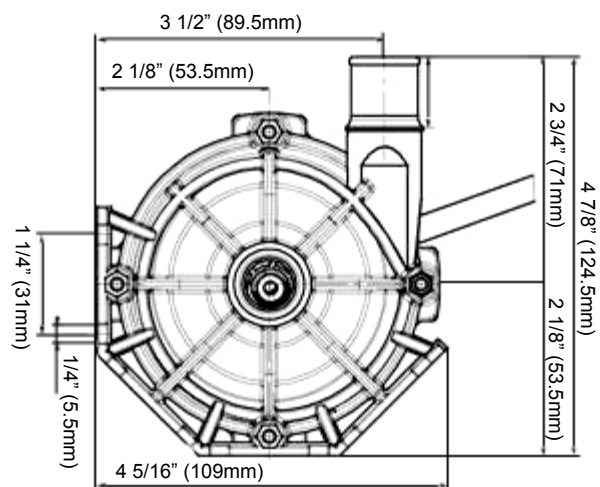
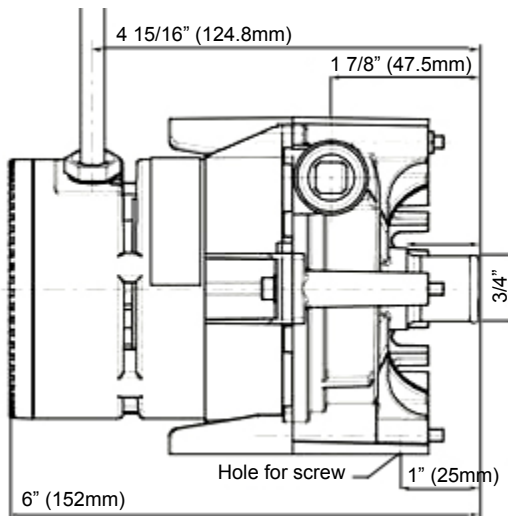
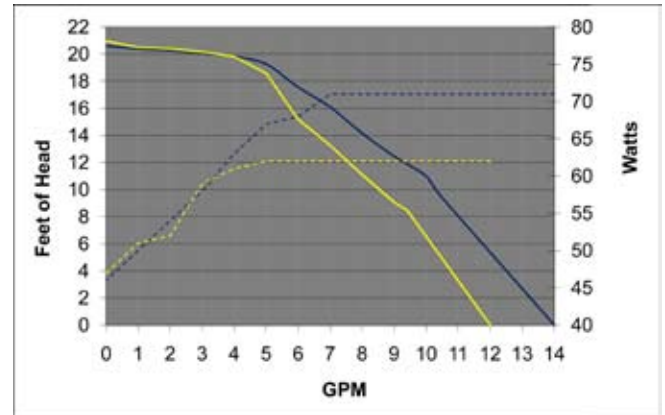
Weight

Lightweight construction weighs less than 4lbs.



Materials of Construction (Wetted Parts)

Part	Materials
Pump Housing	Polyphenylene Oxide (PPO)
"O" Ring	EPDM or Viton
Impeller	Polyphenylene Oxide (PPO)
Bearing	Carbon/Allumina Ceramic
All Other Wetted Parts	316 Stainless Steel or Plastic



Laing Thermotech, Inc.

830 Bay Boulevard, Suite 101 • Chula Vista, CA 91911 • USA
 Ph: 619.575.7466 • Fax: 619.575.2739 • Email: customerservice@lainginc.com • www.lainginc.com
 Laing Thermotech, Inc. • Effective August 2008 • Specifications are subject to change without notice

