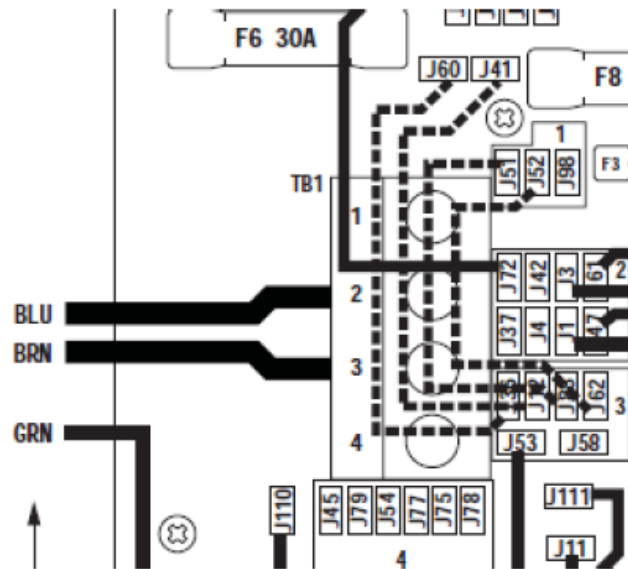
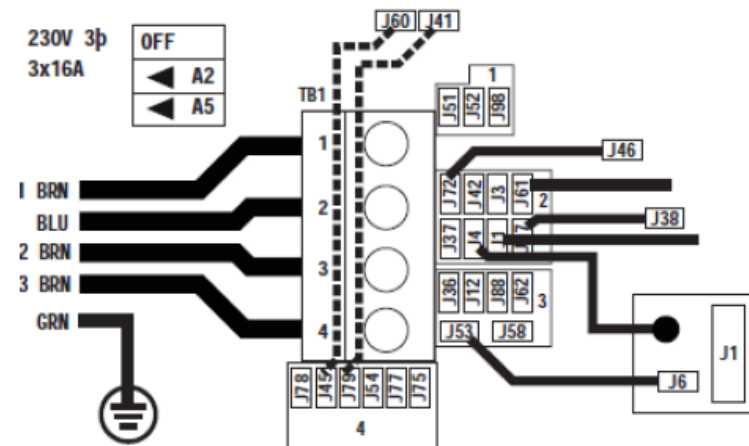


CONNECTING BP2100 SYSTEM TO 3-PHASE

- Completely remove jumper connecting J51 and J88
- Completely remove jumper connecting J52 and J62
- Move jumper from J12 to J79. The connection will be from J41 to J79.
- Move jumper from J36 to J45. The new connection will now be from J60 to J45.
- Put DIP switches A2 and A5 on OFF.



Picture 1: 1-phase connection



Picture 2: 3-phase connection